



4-in-1 Tube Rack Stand



Product Description

The Opentrons 4-in-1 Tube Rack Stand is a modular stand that allows four unique tube holding top plate configurations to be pressed into or removed from the stand base. The stand fits within any deck slot located within the Opentrons OT2.



Tube Rack Stand with 1.5 - 2.0mL Tube Holder Top



Tube Rack Stand with 15 & 50mL Tube Holder Top



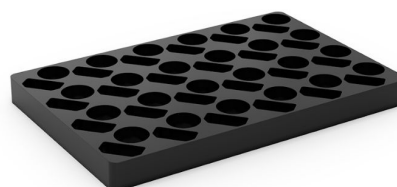
Tube Rack Stand with 50mL Tube Holder Top



Tube Rack Stand with 15mL Tube Holder Top



Tube Rack Stand



Example CNC Top Plate

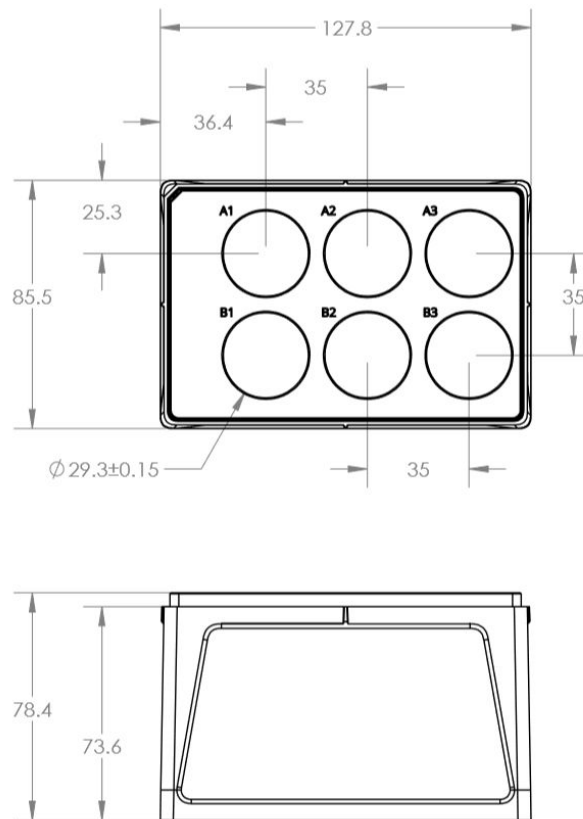
Material

The base stand and the swappable CNC tube holder top plates are **polycarbonate**.

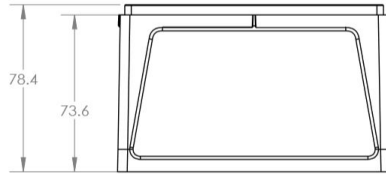
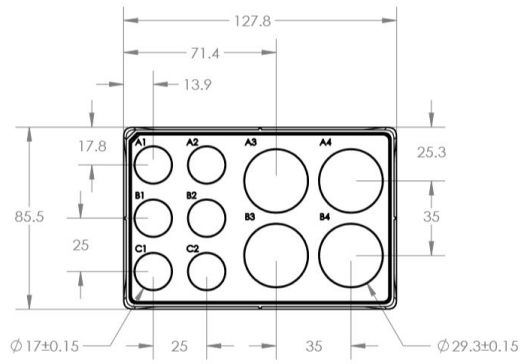
Dimensional Drawings

One Tube Rack Stand Assembly is 150g (1x base, 1x top plate)
Millimeter units are shown in all dimensional drawings.

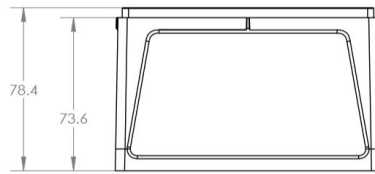
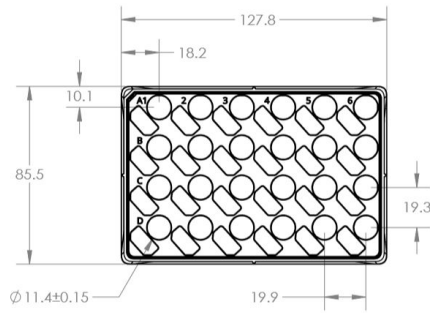
50mL Tube Holder Top:



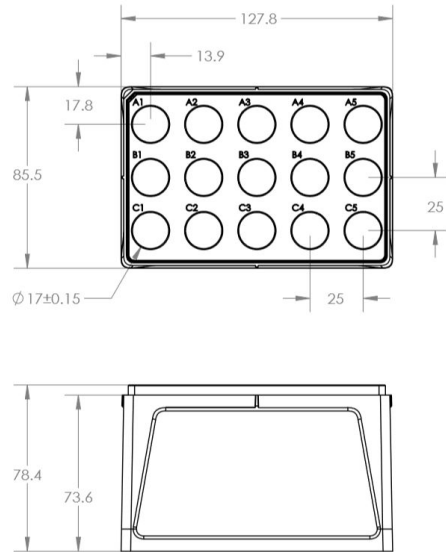
15mL & 50mL Tube Holder Top:



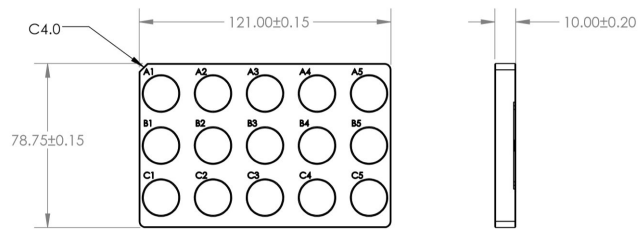
1.5 & 2mL Tube Holder Top:



15mL Tube Holder Top:



General Top Plate:



V1.0_9-18