



Note

If you are concerned about contamination, you can use filter tips with this pipette. You can purchase tips optimized for use with this pipette at: shop.opentrons.com/collections/opentrons-tips

Warranty

While we try our best to ensure you get a quality product, we understand that things can go wrong from time to time. If that happens, we will make it right. For more information visit: opentrons.com/support/warranty

Support

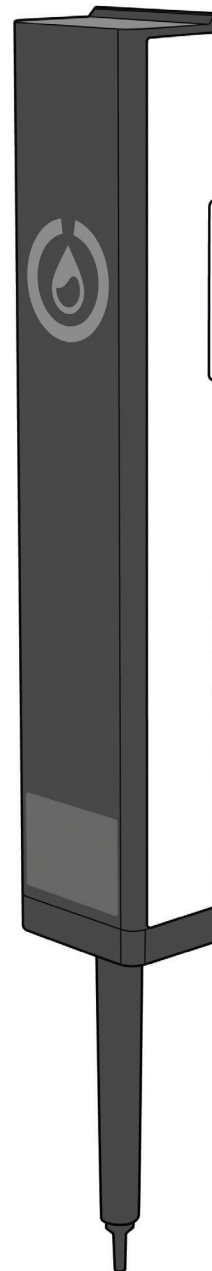
In case of any issues or questions, contact: support@opentrons.com

Please note your pipette's serial number is located on the back of your pipette.

Single-Channel GEN2

P20, P300, P1000

Electronic Pipette



Opentrons Single-Channel GEN2 Electronic Pipette

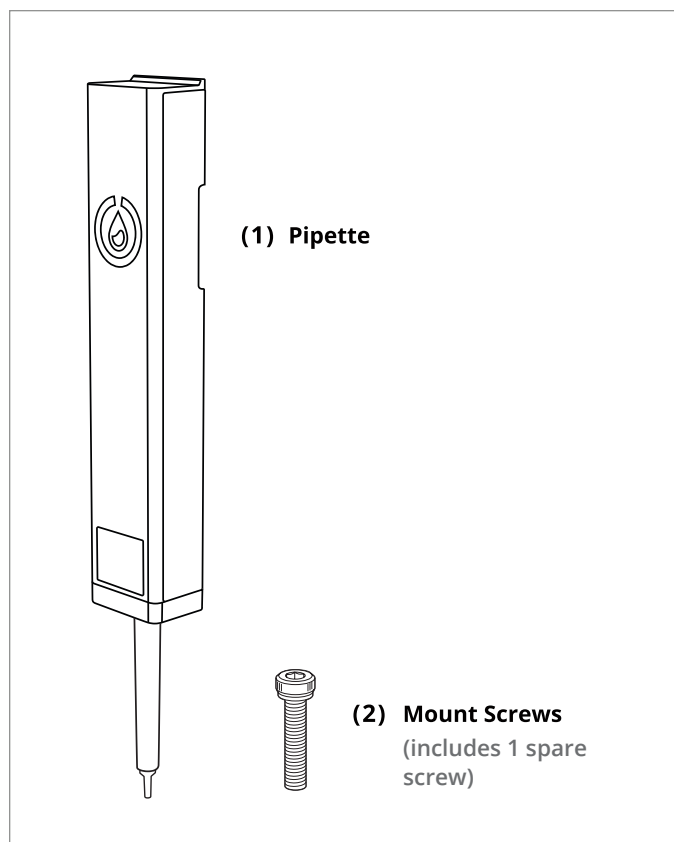
An electronic pipette is designed for lab automation, and optimized for use with the OT-2. This pamphlet will cover everything you need to know to make the most of your pipette.

Available Single-Channel GEN2 Range

- P20 GEN2 (1 μ l – 20 μ l)
- P300 GEN2 (20 μ l – 300 μ l)
- P1000 GEN2 (100 μ l – 1000 μ l)

For more information about accuracy and testing, view our white paper at: opentrons.com/pipettes

Box Contents



Usage Instructions

Electronic pipettes like the Opentrons Pipette GEN2 operate a little differently than manual ones. Here are instructions to ensure you get the best out of your pipettes.

TO ATTACH

- Attach pipettes by going to Pipette Settings section of Opentrons app
- For more details see: opentrons.com/support/attach_pipette

TO CLEAN

- Electronic pipettes require different cleaning methods than manual ones
- DO NOT autoclave
- DO NOT open the electronic pipette
- For instructions on cleaning and care, go to: opentrons.com/support/cleaning

TO CALIBRATE

- Electronic pipettes do not require calibration like traditional pipettes
- If for any reason your pipette no longer performs to spec, please contact our support team at: support@opentrons.com

Tip Compatibility

For reliable pipetting with the Opentrons GEN2 pipettes, we strongly recommend that you use Opentrons Universal Tips. The GEN2 pipettes have been optimized for use with Opentrons tips. While other tips can be used, we cannot guarantee the accuracy, reliability, or functionality for any tips besides Opentrons.

- Buy tips here: shop.opentrons.com/collections/opentrons-tips